

The **NORCHEM AnCAT Model 058PC-288SD** automatic liquid polymer system is designed to process up to 12.0 GPH of a neat liquid polymer and deliver 1.0 to 16.0 GPM (60 to 960 GPH) of a nominal 0.1 to 2.0% aqueous polymer solution. The 058PC-288SD system is modular in design consisting of a liquid polymer injection module and booster module assembly.

**AnCAT MODEL 058PC-288SD LIQUID POLYMER SYSTEM SPECIFICATIONS**

<b>FRAME:</b>	<b>BASE: CONSTRUCTION:</b>	<b>24" W x 24" L x 26" H 304SS BASE</b>
<b>INJECTION MODULE:</b>	<b>PUMP: DRIVE: MOTOR: CAPACITY:</b>	<b>PROGRESSIVE-CAVITY-TYPE, 316 SS ROTOR, VITON STATOR POSITIVE TORQUE TRANSMISSION, 4:1 GEAR REDUCTION ¼ HP, 1725 RPM, TENV, CONTINUOUS DUTY NEAT POLYMER FLOWRATE: 2.0 TO 12.0 GPH (48 TO 288 GPD)</b>
<b>BOOSTER MODULE:</b>	<b>PUMP: DRIVE: MOTOR: DISCHARGE:</b>	<b>CENTRIFUGAL-TYPE, CAST IRON, MODIFIED FOR POLYMERS CLOSE-COUPLED .75 HP, 3450 RPM, CONTINUOUS DUTY, ODP 10 – 60 PSI 1.0 – 16.0 GPM</b>
<b>SOLUTION OUTPUT:</b>	<b>PRIMARY FLOW: SECONDARY FLOW: TOTAL FLOW:</b>	<b>3.0 – 8.0 GPM (480 GPH) 0.0 – 8.0 GPM (480 GPH) 3.0 – 16.0 GPM (960 GPH)</b>
<b>CONCENTRATION:</b>	<b>SOLUTION:</b>	<b>PRIMARY 0.2 – 2.0% VOLUME ON VOLUME TOTAL 0.1 – 1.0% VOLUME ON VOLUME</b>
<b>UTILITIES:</b>	<b>ELECTRICAL: WATER:</b>	<b>120/1/60 20 AMPS 40 – 100 PSI 25 GPM CLEAN SOURCE</b>
<b>CONTROLS:</b>	<b>CONTROLLER:  LOW WATER:  LOW POLYMER:</b>	<b>(OPTIONAL) NEMA 4X W/ TOUCHPAD, POLYMER RATIO, REMOTE START/STOP, POLYMER PUMP READOUT, WATER RATIO, PRIMARY AND SECONDARY FLOW READOUTS, REMOTE SETPOINT AND DOSING CONTROL, AUTO CALIBRATION AND ALARMS  (OPTIONAL) PISTON FLOW SENSOR WITH AUTO RESTART OR MANUAL RESET  (OPTIONAL) OPTICAL SENSORS WITH ADJUSTABLE RANGE 0.15 – 2.0% CONCENTRATION</b>

**ENGINEERING SPECIFICATIONS:**

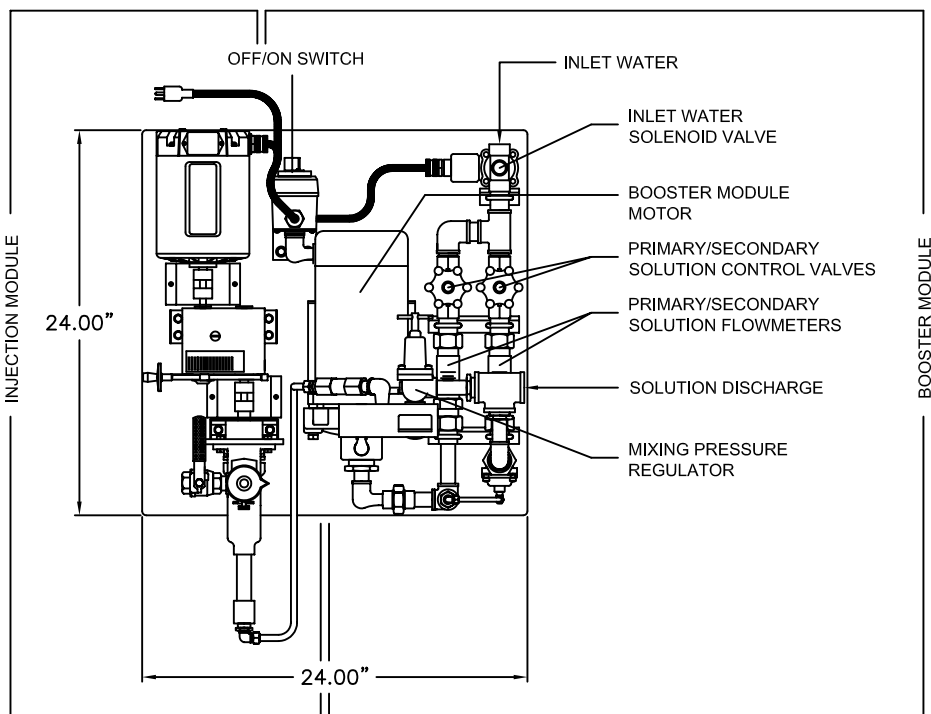
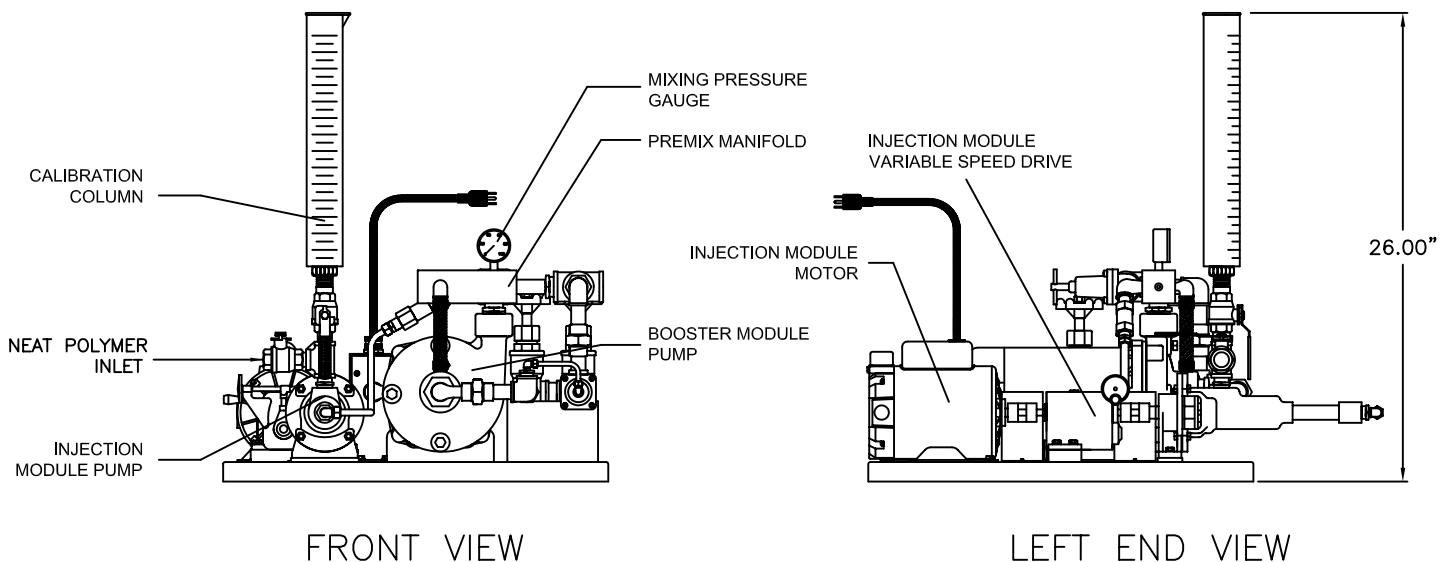
**AnCAT Model 058PC-288SD** shall be provided to rapidly dilute, activate and feed emulsion, dispersion and solution polymers at 960 GPH of polymer solution at concentrations to 2%. The system shall contain a four step controlled energy hydraulic circuit which instantaneously dilutes and blends the polymer to it's most efficient state for use in the process. The unit shall be designed with full pressure-controlled, inline inversion capability and shall not be limited by a minimum retention time restriction. The polymer system shall be capable of providing a 15 – 20 PSI pressure boost and shall not rely on available inlet water pressure to discharge the polymer solution product. The system shall be modular in design and shall consist of a polymer injection module, booster module, premix manifold assembly, inlet water solenoid valve, primary and secondary inlet water flowmeter, primary and secondary inlet water flow controllers, proportioning pressure regulator to balance primary and secondary flow circuits, mixing pressure regulator adjustable from 10 to 70 PSI, mixing circuit pressure gauge and inlet water throttling valve.

# PLAN & ELEVATION

# AnCAT 05PCSD-SERIES

05PCSD\_DIM

(TYPICAL TO ALL 054PCSD AND 058PCSD SYSTEMS)

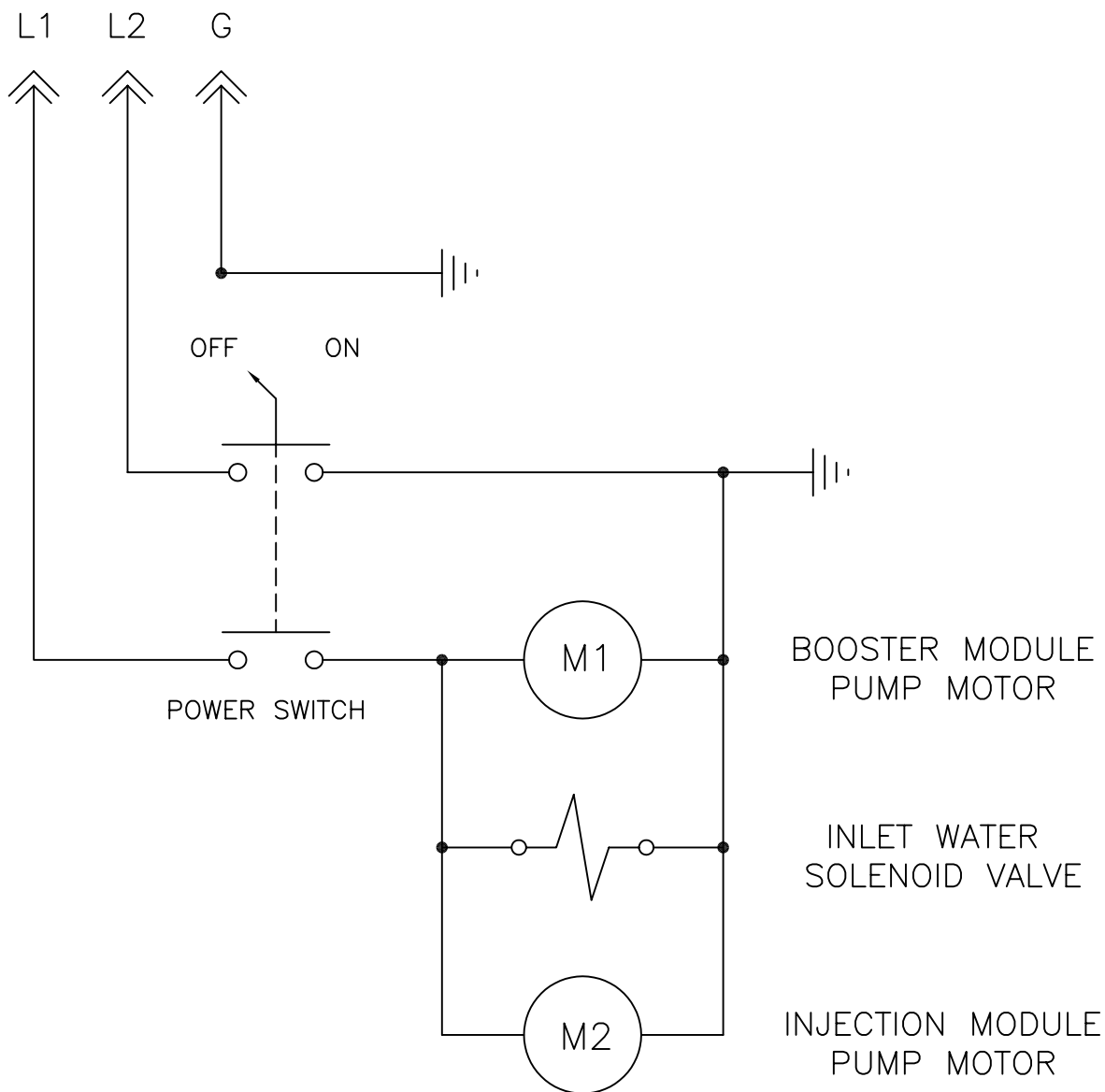


PLAN VIEW

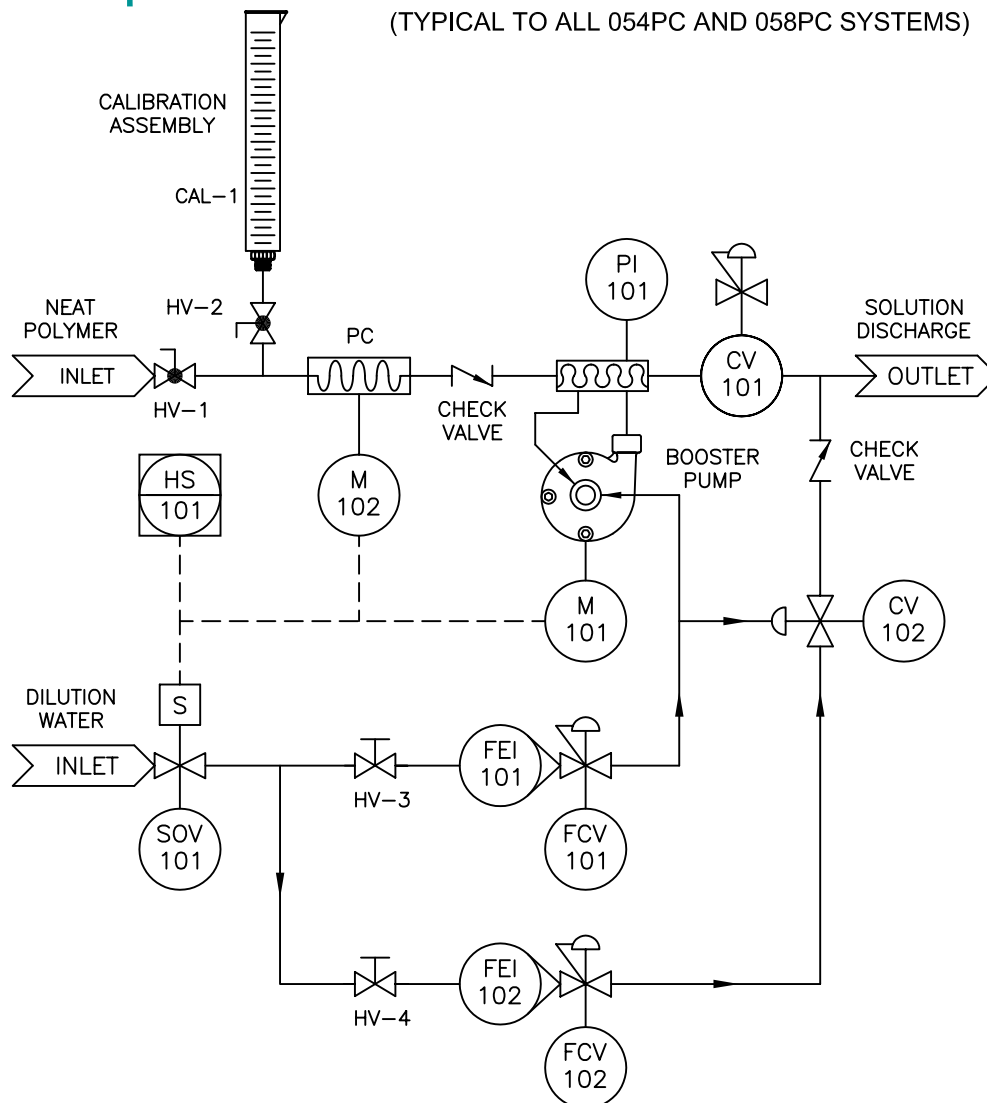
# NORCHEM INC.

(TYPICAL TO ALL 054PCSD AND 058PCSD SYSTEMS)

INCOMING POWER  
115 VAC/1 PH/60 HZ



(TYPICAL TO ALL 054PC AND 058PC SYSTEMS)



**LEGEND**

HV-1	POLYMER SUPPLY SHUTOFF HAND VALVE
HV-2	CALIBRATION ASSEMBLY ISOLATION HAND VALVE
HV-3	PRIMARY DILUTION WATER THROTTLING VALVE
HV-4	SECONDARY DILUTION WATER THROTTLING VALVE
CAL-1	CALIBRATION CYLINDER
PC	INJECTION MODULE PROGRESSIVE CAVITY PUMP
PI-101	MIXING PRESSURE GAUGE
M-101	POLYMER INJECTION PUMP MOTOR
M-102	DILUTION WATER INLET SOLENOID VALVE
SOV-1	DILUTION WATER INLET SOLENOID VALVE
CV-101	MIXING PRESSURE CONTROL VALVE
CV-102	SECONDARY DILUTION EQUAIZATION VALVE
FEI-101	PRIMARY DILUTION WATER INDICATING FLOW METER
FEI-102	SECONDARY DILUTION WATER INDICATING FLOWMETER
FCV-101	PRIMARY DILUTION WATER CONTROL REGULATOR
FCV-102	SECONDARY DILUTION FLOW CONTROL REGULATOR
HS-101	OFF/ON SWITCH